



INEKEHANS | COLLECTION

swing wing set for two

material and colours:

- > metal: 6 ral colours
- > wood: 4 colours natural / stained

sizes:

- > table : 140 x 70 x h:75 cm
- > chair : 44 x 50 x h:81 cm

weight & volume:

- > 27,5 kg / 0,561 m3

delivery time:

- > max 8 weeks

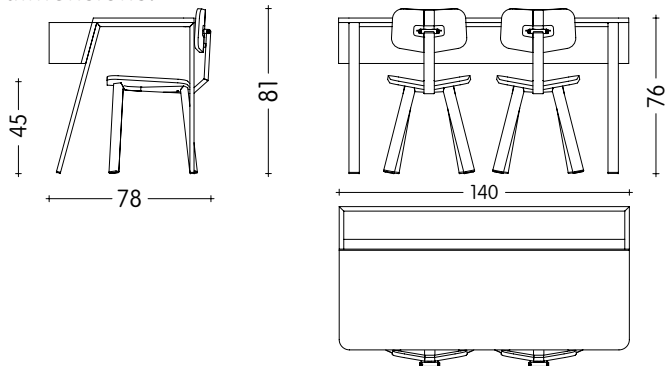
maintenance:

- > clean with damp cloth

features:

- > compact office for one
- > chair: flexible swing in back
- > desk: stores plants, books, cables

dimensions:



wood:

natural ash red stained white stained grey stained



frame:

black (ral 9004)

white (ral 9016)

pink (ral 3015)

yellow (ral 1016)

olive (ral 7034)

grey (ral 7039)

